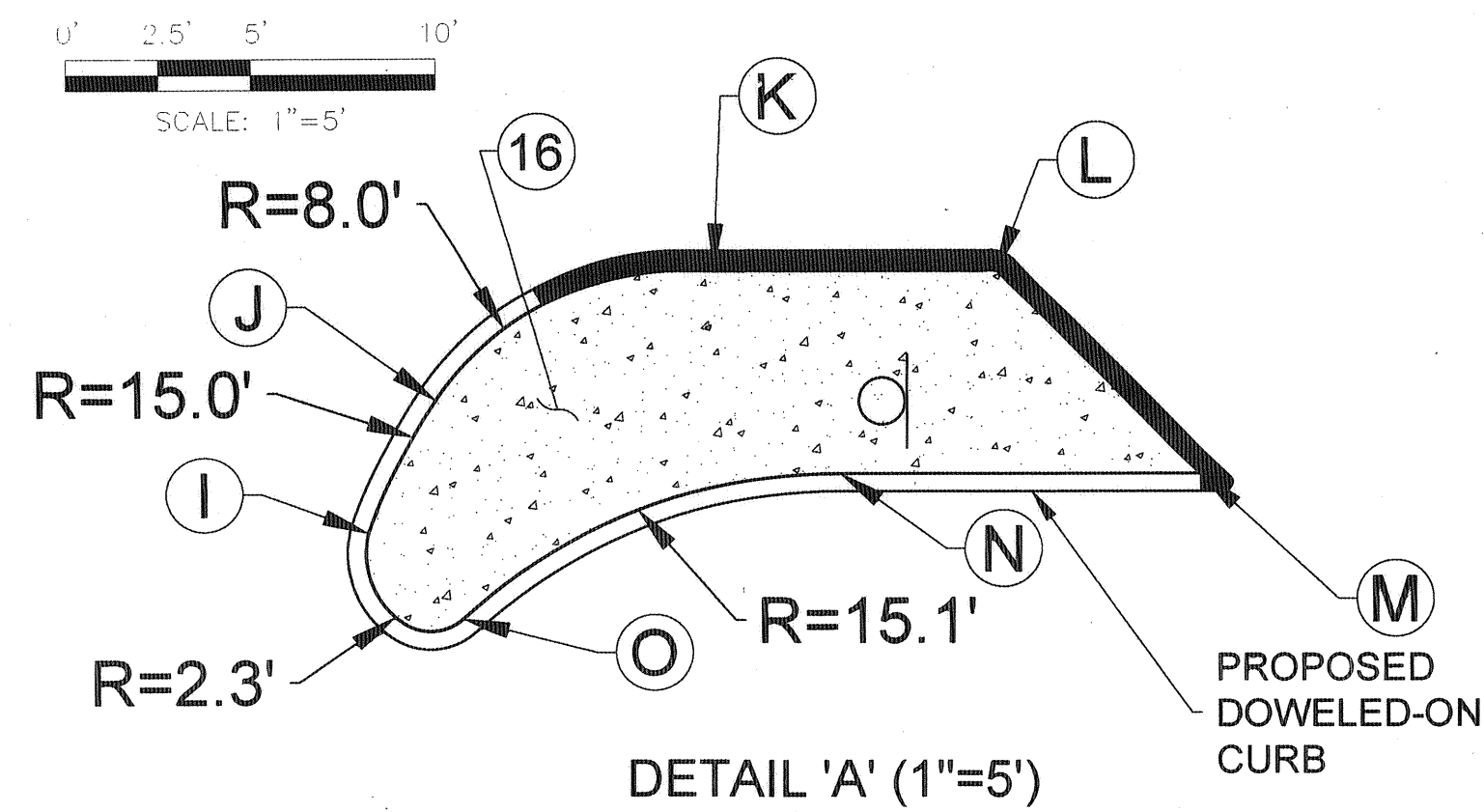
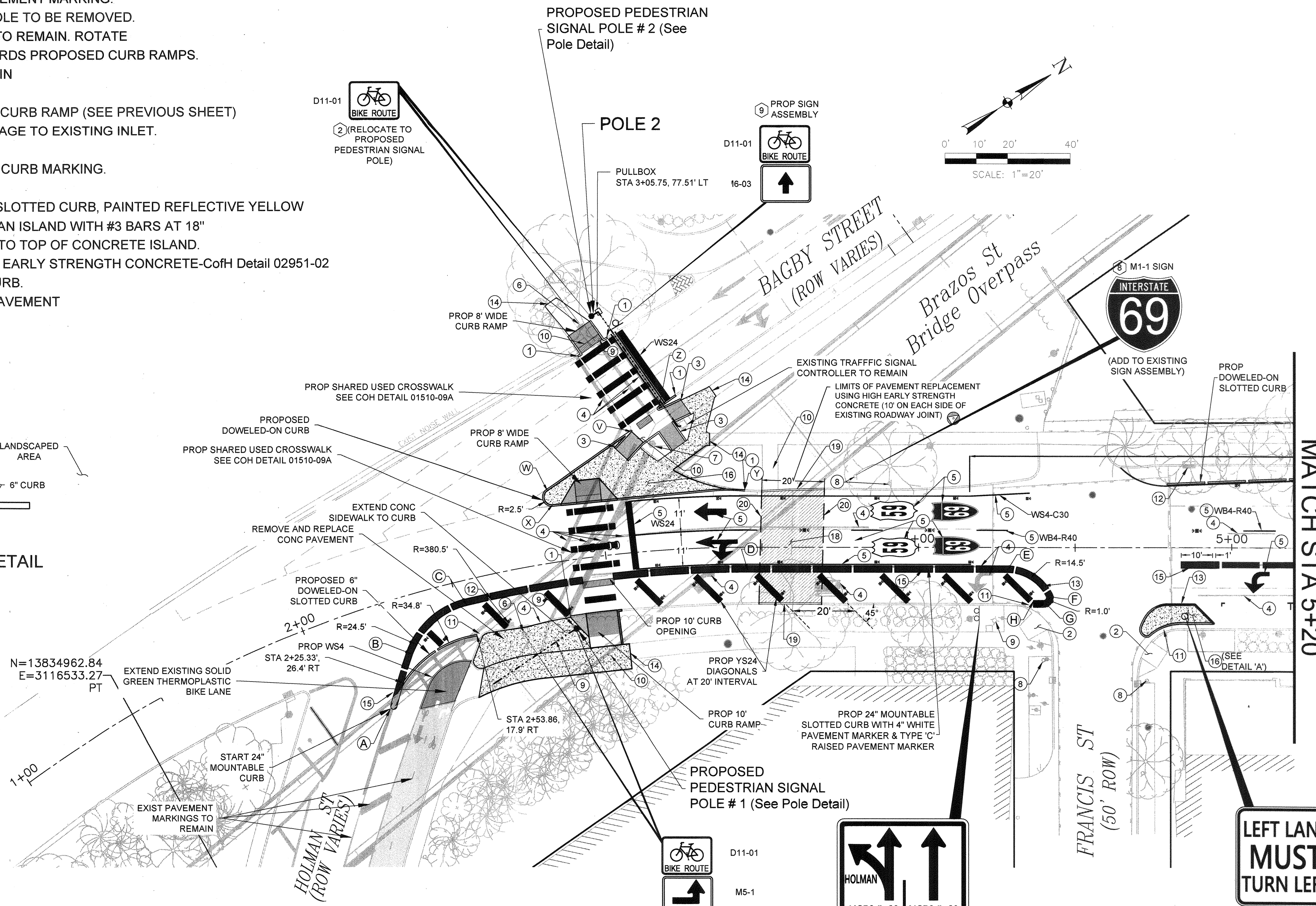
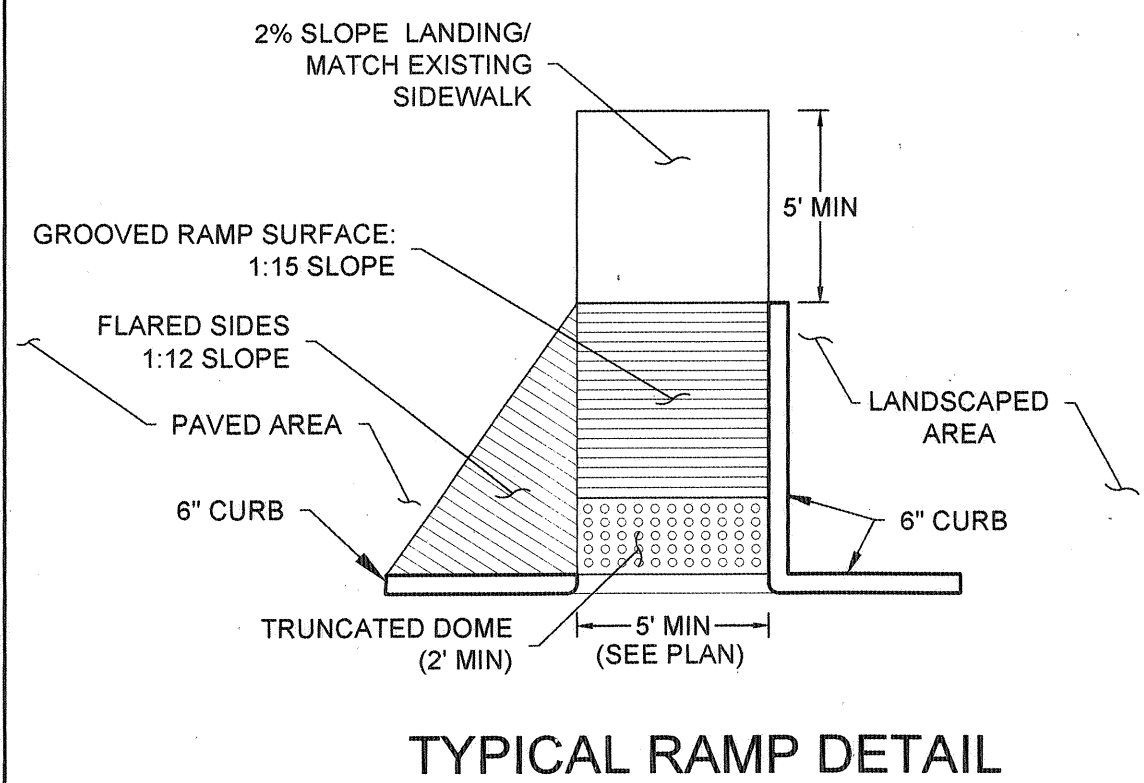


- 1 MATCH EXIST CURB.
- 2 EXIST CURB RAMP TO BE REMAIN.
- 3 PROPOSED 5' WIDE CURB RAMP.
- 4 REMOVE EXISTING THERMOPLASTIC PAVEMENT MARKING.
- 5 PROPOSED THERMOPLASTIC PAVEMENT MARKING.
- 6 EXISTING PEDESTRIAN SIGNAL POLE TO BE REMOVED.
- 7 EXISTING TRAFFIC SIGNAL POLE TO REMAIN. ROTATE PEDESTRIAN SIGNAL HEAD TOWARDS PROPOSED CURB RAMPS.
- 8 EXISTING TRAFFIC SIGN TO REMAIN
- 9 REMOVE EXISTING TRAFFIC SIGN
- 10 REMOVE EXISTING SIDEWALK OR CURB RAMP (SEE PREVIOUS SHEET)
- 11 18" CLEARANCE TO ALLOW DRAINAGE TO EXISTING INLET.
- 12 EXISTING INLET TO REMAIN
- 13 PROPOSED REFLECTIVE YELLOW CURB MARKING.
- 14 MATCH EXISTING SIDEWALK.
- 15 PROPOSED 2' WIDE MOUNTABLE SLOTTED CURB, PAINTED REFLECTIVE YELLOW
- 16 PROPOSED 6" REINFORCED MEDIAN ISLAND WITH #3 BARS AT 18"
- 17 ADJUST EXISTING WATER VALVE TO TOP OF CONCRETE ISLAND.
- 18 REPLACE PAVEMENT USING HIGH EARLY STRENGTH CONCRETE-CofH Detail 02951-02
- 19 REMOVE & REPLACE EXISTING CURB.
- 20 SAW-CUT EXISTING CONCRETE PAVEMENT



CONSTRUCTION POINTS				
Point	Station	Offset (Ft.)	SIDE	Description
A	2+18.42	33.1	RT	START CURB
B	2+31.36	18.7	RT	PC BOC
C	2+53.02	8.0	RT	PCC BOC
D	3+45.63	8.0	RT	PT BOC
E	4+27.96	8.0	RT	PC BOC
F	4+40.78	15.7	RT	PCC BOC
G	4+39.89	17.2	RT	PT BOC
H	4+36.69	17.2	RT	BOC
I	4+71.10	25.7	RT	PC BOC
J	4+72.91	22.1	RT	PCC BOC
K	4+79.51	18.6	RT	PT BOC
L	4+88.08	18.6	RT	BOC
M	4+93.59	24.1	RT	BOC
N	4+83.85	24.1	RT	PC BOC
O	4+73.65	28.1	RT	PCC BOC
P	6+74.80	23.8	RT	BOC
Q	6+74.77	20.2	RT	PC BOC
R	6+76.77	18.2	RT	PCC BOC
S	6+84.54	22.7	RT	PT BOC
T	6+86.85	27.3	RT	PC BOC
U	6+80.00	24.4	RT	PT BOC
V	3+11.70	38.4	LT	BOC
W	2+84.84	23.2	LT	PC BOC
X	2+85.73	18.4	LT	PT BOC
Y	3+44.58	18.5	LT	BOC
Z	3+20.00	45.0	LT	MATCH BOC

NOTE:
ALL STANDARD AND CUSTOM PROPOSED SIGNS TO BE CONSTRUCTED USING DETAILS PROVIDED IN 'STANDARD HIGHWAY SIGN DESIGN FOR TEXAS'.

AGUIRRE & FIELDS
ENGINEERING INNOVATORS
TBPE FIRM REGISTRATION # 739

AMANI ENGINEERING, INC.
8303 SOUTHWEST FREEWAY
SUITE 600
HOUSTON, TEXAS 77074
TEL: (713) 270-5700
TBPE REG. NO.: F-4528
TBPLS REG. NO.: 100262-00

SURVEYED BY:
AMANI ENGINEERING, INC.
FIELD BOOK NO. P-6115

STATE OF TEXAS
DANIEL P. SIMEONE
59194
Professional Engineer
4/30/19

CITY OF HOUSTON
HOUSTON PUBLIC WORKS

BRAZOS BRIDGE OVER SMITH ST.
AND HOLMAN ST. (DECK SLAB REPL)

SMITH STREET IMPROVEMENTS

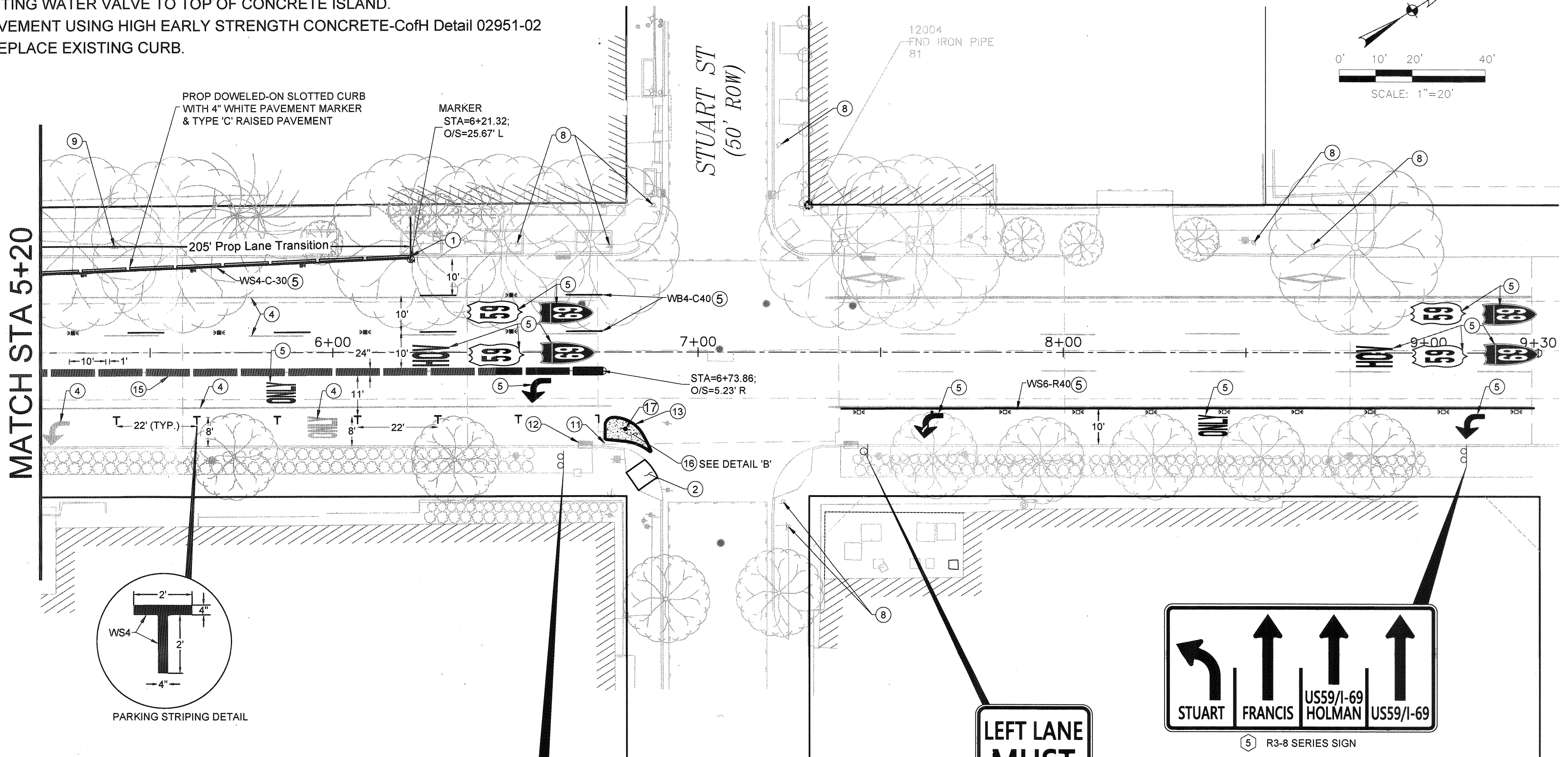
SITE PLAN
(SHEET 1 OF 2)

WBS NUMBER	FOR CITY OF HOUSTON USE ONLY
N-320445-0006-4	
DRAWING SCALE	
1"=20'	
CITY OF HOUSTON PM	
SUDARSHAN GOINI, PE	
SHEET NO. 33 OF 107	

ABBREVIATION FOR PROPOSED THERMOPLASTIC PAVEMENT MARKERS
 WB4-R40: 4" WIDE BROKEN WHITE PAVEMENT MARKING (10' STRIPE WITH 30' GAP) WITH COH TYPE 'R' RRPM (AT 40' INTERVAL)
 WS4-C-30: 4" SOLID WHITE PAVEMENT MARKING WITH COH TYPE 'C' RRPM (AT 30' INTERVAL)
 WS6-R-40: 6" SOLID WHITE PAVEMENT MARKING WITH COH TYPE 'R' RRPM (AT 40' INTERVAL)
 YSX: X" WIDE SOLID YELLOW PAVEMENT MARKER
 WSX: X" WIDE SOLID WHITE PAVEMENT MARKER

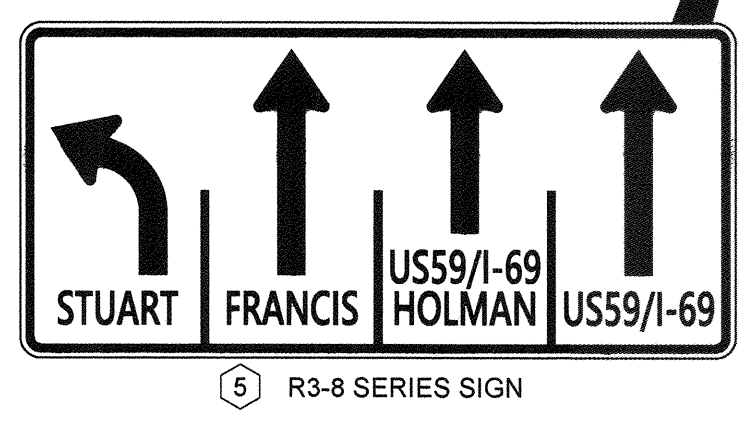
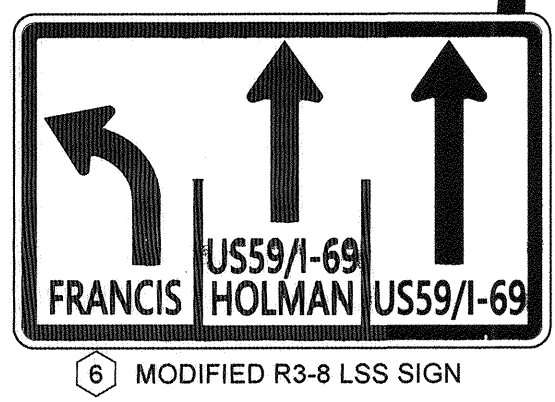
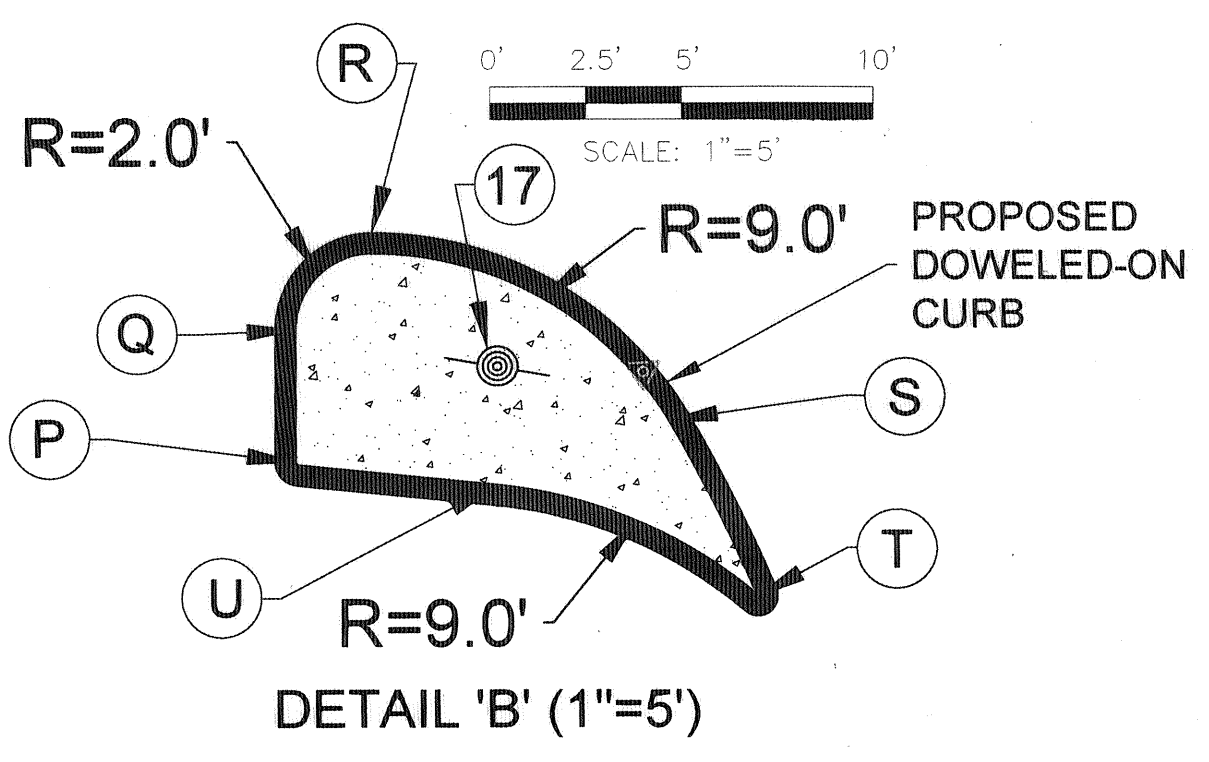
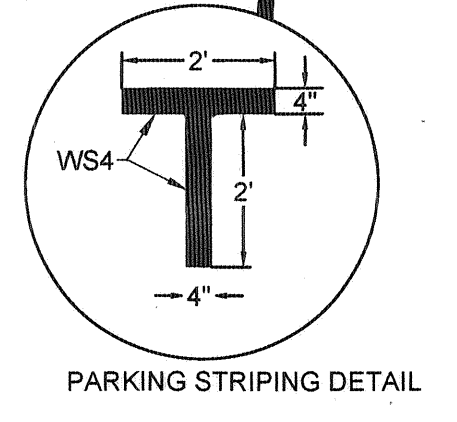
- ① MATCH EXIST CURB.
- ② EXIST CURB RAMP TO BE REMAIN.
- ③ PROPOSED 5' WIDE CURB RAMP.
- ④ REMOVE EXISTING THERMOPLASTIC PAVEMENT MARKING.
- ⑤ PROPOSED THERMOPLASTIC PAVEMENT MARKING.
- ⑥ EXISTING PEDESTRIAN SIGNAL POLE TO BE REMOVED.
- ⑦ EXISTING TRAFFIC SIGNAL POLE TO REMAIN. ROTATE PEDESTRIAN SIGNAL HEAD TOWARDS PROPOSED CURB RAMPS.
- ⑧ EXISTING TRAFFIC SIGN TO REMAIN
- ⑨ REMOVE EXISTING TRAFFIC SIGN
- ⑩ REMOVE EXISTING SIDEWALK OR CURB RAMP (SEE PREVIOUS SHEET)
- ⑪ 18" CLEARANCE TO ALLOW DRAINAGE TO EXISTING INLET.
- ⑫ EXISTING INLET TO REMAIN
- ⑬ PROPOSED REFLECTIVE YELLOW CURB MARKING.
- ⑭ MATCH EXISTING SIDEWALK.
- ⑮ PROPOSED 2' WIDE MOUNTABLE SLOTTED CURB, PAINTED REFLECTIVE YELLOW
- ⑯ PROPOSED 6" REINFORCED MEDIAN ISLAND WITH #3 BARS AT 18"
- ⑰ ADJUST EXISTING WATER VALVE TO TOP OF CONCRETE ISLAND.
- ⑱ REPLACE PAVEMENT USING HIGH EARLY STRENGTH CONCRETE-CofH Detail 02951-02
- ⑲ REMOVE & REPLACE EXISTING CURB.

CONSTRUCTION POINTS				
Point	Station	Offset (Ft.)	SIDE	Description
A	2+18.42	33.1	RT	START CURB
B	2+31.36	18.7	RT	PC BOC
C	2+53.02	8.0	RT	PCC BOC
D	3+45.63	8.0	RT	PT BOC
E	4+27.96	8.0	RT	PC BOC
F	4+40.78	15.7	RT	PCC BOC
G	4+39.89	17.2	RT	PT BOC
H	4+36.69	17.2	RT	BOC
I	4+71.10	25.7	RT	PC BOC
J	4+72.91	22.1	RT	PCC BOC
K	4+79.51	18.6	RT	PT BOC
L	4+88.08	18.6	RT	BOC
M	4+93.59	24.1	RT	BOC
N	4+83.85	24.1	RT	PC BOC
O	4+73.65	28.1	RT	PCC BOC
P	6+74.80	23.8	RT	BOC
Q	6+74.77	20.2	RT	PC BOC
R	6+76.77	18.2	RT	PCC BOC
S	6+84.54	22.7	RT	PT BOC
T	6+86.85	27.3	RT	PC BOC
U	6+80.00	24.4	RT	PT BOC
V	3+11.70	38.4	LT	BOC
W	2+84.84	23.2	LT	PC BOC
X	2+85.73	18.4	LT	PT BOC
Y	3+44.58	18.5	LT	BOC
Z	3+20.00	45.0	LT	MATCH BOC



SMITH ST
(80' ROW)

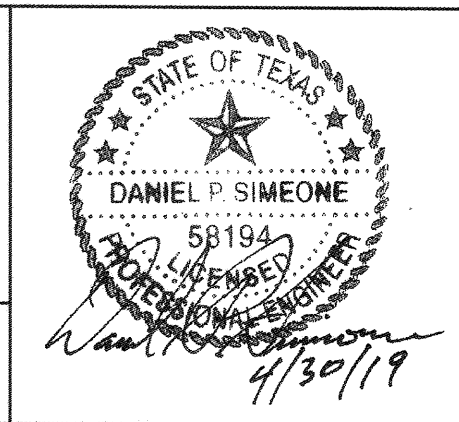
NOTE:
ALL STANDARD AND CUSTOM PROPOSED SIGNS TO BE CONSTRUCTED USING DETAILS PROVIDED IN 'STANDARD HIGHWAY SIGN DESIGN FOR TEXAS'.



- ABBREVIATION FOR PROPOSED THERMOPLASTIC PAVEMENT MARKERS**
- WB4-R40: 4" WIDE BROKEN WHITE PAVEMENT MARKING (10' STRIPE WITH 30' GAP) WITH COH TYPE 'R' RRPM (AT 40' INTERVAL)
 - WS4-C-30: 4" SOLID WHITE PAVEMENT MARKING WITH COH TYPE 'C' RRPM (AT 30' INTERVAL)
 - WS6-R40: 6" SOLID WHITE PAVEMENT MARKING WITH COH TYPE 'R' RRPM (AT 40' INTERVAL)
 - YSX: X" WIDE SOLID YELLOW PAVEMENT MARKER
 - WSX: X" WIDE SOLID WHITE PAVEMENT MARKER

AGUIRRE & FIELDS
ENGINEERING INNOVATORS
TBPE FIRM REGISTRATION # 739

AMANI ENGINEERING, INC.
8303 SOUTHWEST FREEWAY
SUITE 800
HOUSTON, TEXAS 77074
TEL: (713) 270-5700
TBPE REG. NO.: F-4528
TBPLS REG. NO.: 100282-00



CITY OF HOUSTON
HOUSTON PUBLIC WORKS

BRAZOS BRIDGE OVER SMITH ST.
AND HOLMAN ST. (DECK SLAB REPL)

SMITH STREET IMPROVEMENTS

SITE PLAN
(SHEET 2 OF 2)

WBS NUMBER	FOR CITY OF HOUSTON USE ONLY
N-320445-0006-4	
DRAWING SCALE	
1"=20'	
CITY OF HOUSTON PM	
SUDARSHAN GOUNI, PE	
SHEET NO. 34 OF 107	

